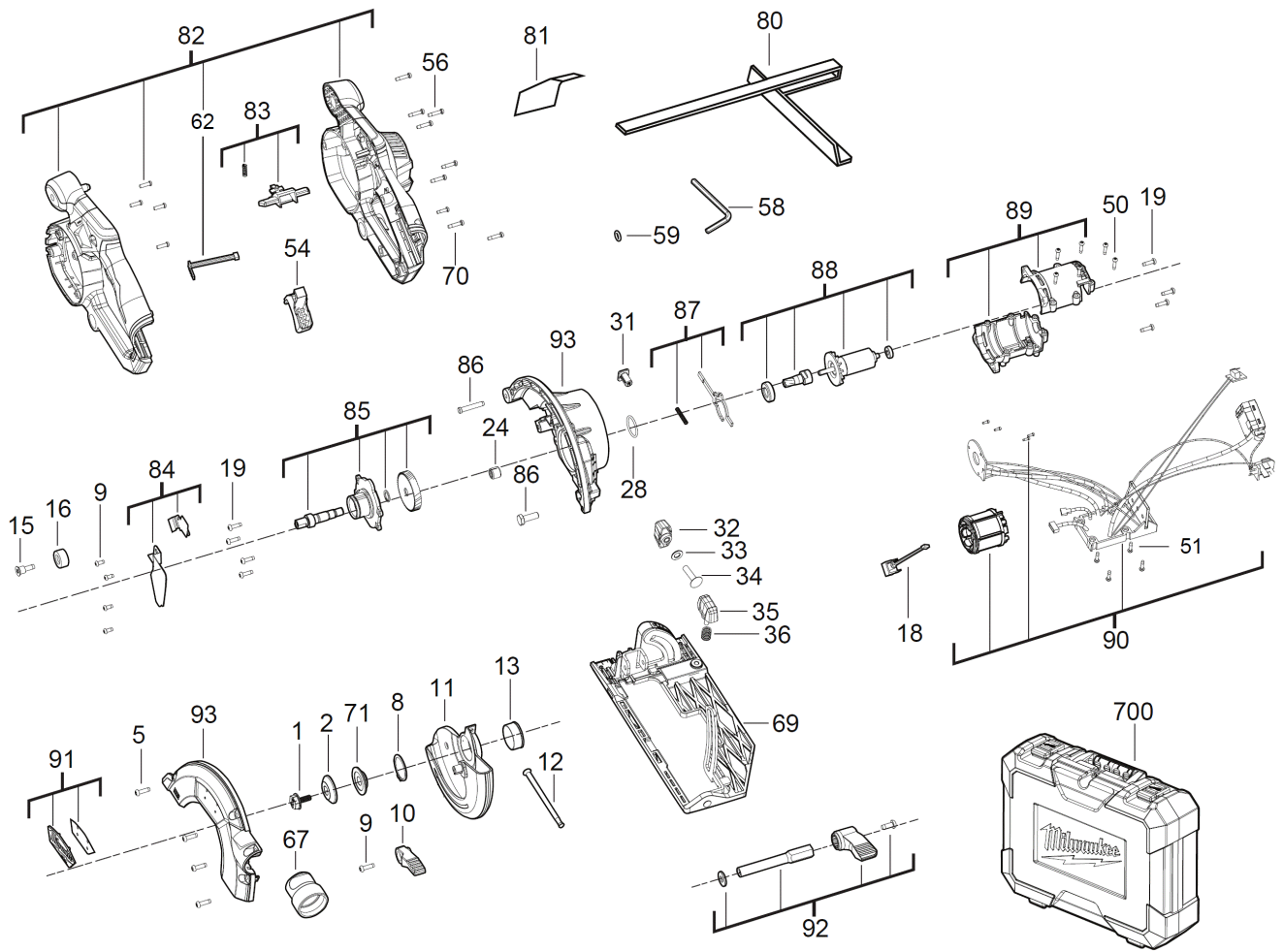


# M12CCS44-0 BATTERY CIRCUL.SAW XXX

4933448225 - M12 CCS44-0 - 4000448226





Position	Quantity	Description	Part number	EAN
0001 1	1	SCREW	4931436670	4002395257508
0002 2	1	FLANGE	Item discontinued(4931436671)	
0005 3	1	SCREW	660165011	4002395903702
0008 4	1	RING	4931436672	4002395257522
0009 5	1	SCREW	4931436673	4002395257539
0010 6	1	LEVER	4931436674	4002395257546
0011 7	1	GUARD	4931436675	4002395257553
0012 8	1	SPRING	692687001	4002395849109
0013 9	1	SLEEVE	4931436676	4002395257560
0015 10	1	SCREW	Item discontinued(45040485)	
0016 11	1	RUBBER BUFFER	4931465876	4058546239763
0018 12	1	INDICATOR SET	Item discontinued(4931436677)	
0019 13	1	SUPPORT ROLL HOLDER	Item discontinued(4931436678)	
0024 14	1	NEEDLE BEARING	4931435696	4002395864492
0028 15	1	O-RING	Item discontinued(4931436679)	
0031 16	1	PUSH-BUTTON	Item discontinued(4931436680)	
0032 17	1	TRIGGER	4931436114	4002395881420
0033 18	1	WASHER	45881560	4058546074845
0034 19	1	SCREW	4931436681	4002395258215
0035 20	1	TRIGGER	4931436113	4002395881413
0036 21	1	SPRING	40500650	4058546072742
0050 22	1	SCREW	660230009	4002395823222
0051 23	1	SCREW	660230016	4002395849840
0054 24	1	TRIGGER	4931436682	4002395258222
0056 25	1	SCREW	660031017	4002395825189
0058 26	1	KEY	4931436125	4002395878734
0059 27	1	O-RING	34404480	4058546072193
0062 28	1	CONNECTOR	Item discontinued(4931436683)	
0067 29	1	SUCTION SLEEVE	Item discontinued(4931436684)	
0069 30	1	BASE PLATE	4931436685	4002395258253
0070 31	1	SCREW	4931436686	4002395258260
0071 32	1	FLANGE	4931436687	4002395258277
0080 33	1	PARALLEL GUIDE	4931436688	4002395258284
0081 34	1	RATING PLATE	Item discontinued(4931436689)	
0082 35	1	HANDLE	Item discontinued(4931436690)	
0083 36	1	PUSH-BUTTON	4931436691	4002395258901
0084 37	1	STAMP	Item discontinued(4931436692)	
0085 38	1	GEAR BOX	4931436693	4002395258925
0086 39	1	BOLT SET	Item discontinued(4931436694)	
0087 40	1	SPRING	Item discontinued(4931436695)	
0088 41	1	ARMATURE	4931436696	4002395258956
0089 42	1	MOTOR HOUSING	4931436697	4002395258963
0090 43	1	ELECTRIC FIELD	4931436698	4002395258970
0091 44	1	NAME PLATE	4931436699	4002395258987
0092 45	1	REBATE DEPTH GAUGE	4931436700	4002395258994
0093 46	1	HOUSING	4931436701	4002395263554
0700 47	1	CARRYING CASE	Item discontinued(4931436702)	